

## Stackable splitter case

### Description

Stackable splitter case with 6x SFO splitter 1:32  
CASE-SFO-6-P-3-89-GY

#### Features

- Frame assembled with 3x LC duplex adapter SM APC Green and cover
- Case preconfigured with 6x SFO splitter short (6x 1:32), pre-terminated
- Full equipped module with 192 G-PON connections
- Expanding modularity - stackable at your needs
- Mounting plate to fix the case
- Internal bending radius fiber protection
- Simple and secure installation
- SFO splitter protected within case



### Technical data

#### Mechanical data

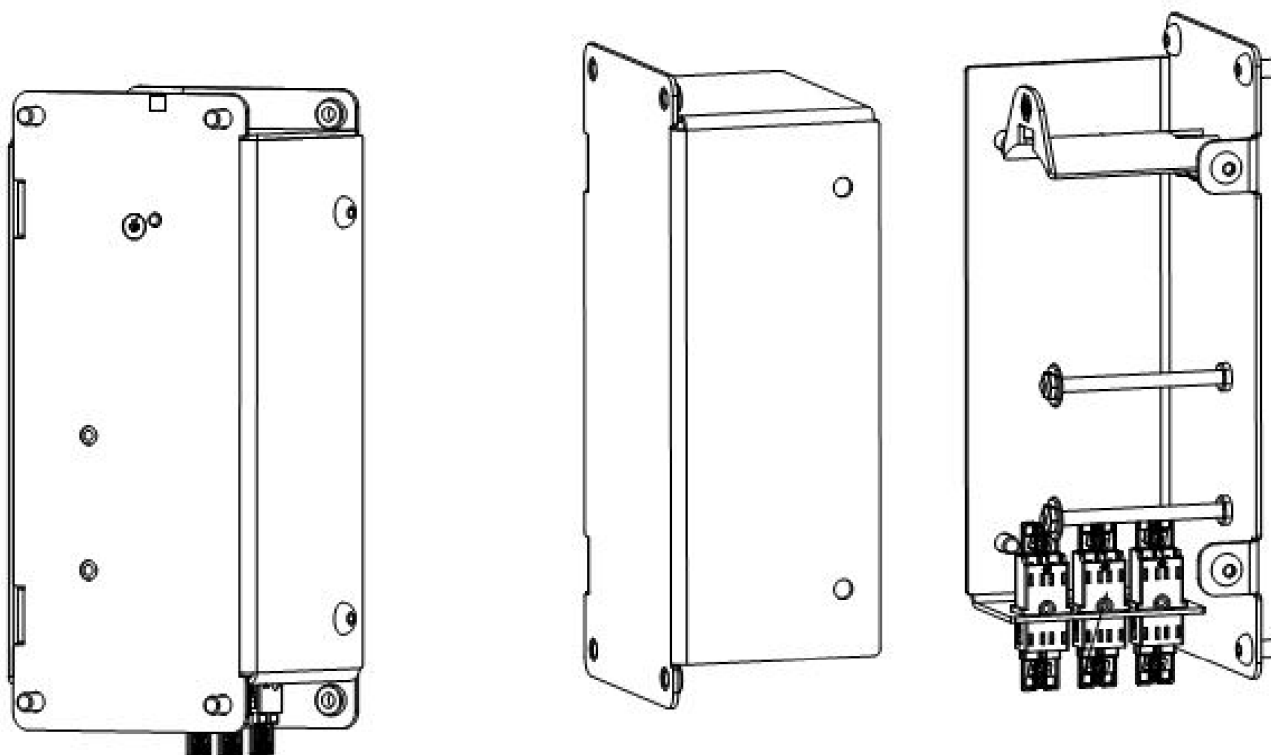
Characteristics	Values
Dimension (Width x Length x Height) (mm)	61.5 x 80 x 181
Dimension (Width x Length x Height) (inch)	2.4 x 3.1 x 7.1
Weight (kg)	0.65
Weight (lbs)	1.4
Number of Adaptor rear (pcs)	3
Adaptor type rear	LC
Adaptor type rear polishing	APC
Adaptor colour rear	green
Number of splitter (pcs)	6
Splitter ratio	1 : 32

#### Environmental data

Characteristics	Values
Free of halogen	Yes
RoHS compliant	Yes
REACH compliant	Yes

## Stackable splitter case

### Technical drawing



### Ordering information

Description	Item number
Stackable splitter case with 6x SFO splitter 1:32	85163609