

SENCITY® RAIL MIMO+ ANTENNA
FOR WIRELESS COMMUNICATION

Mounting Instruction



Keep away from catenary and high voltage lines.
Be careful when working at height!
Always secure ladders!
Always tighten screws!



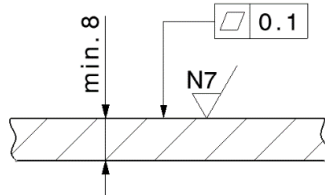
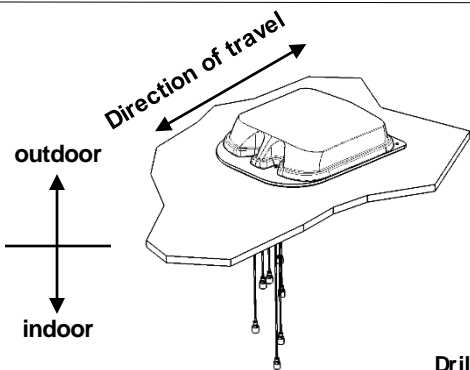
Caution! ESD (electrostatic discharge) sensitive device.
Always ground yourself while handling the GPS connector.
For more information, see the Security Instruction for this product on the Huber + Suhner website.

Dimensions in millimeter [mm]



Avoid bringing the cover of the antenna into contact with acetone, gasoline or oil.

Mounting surface

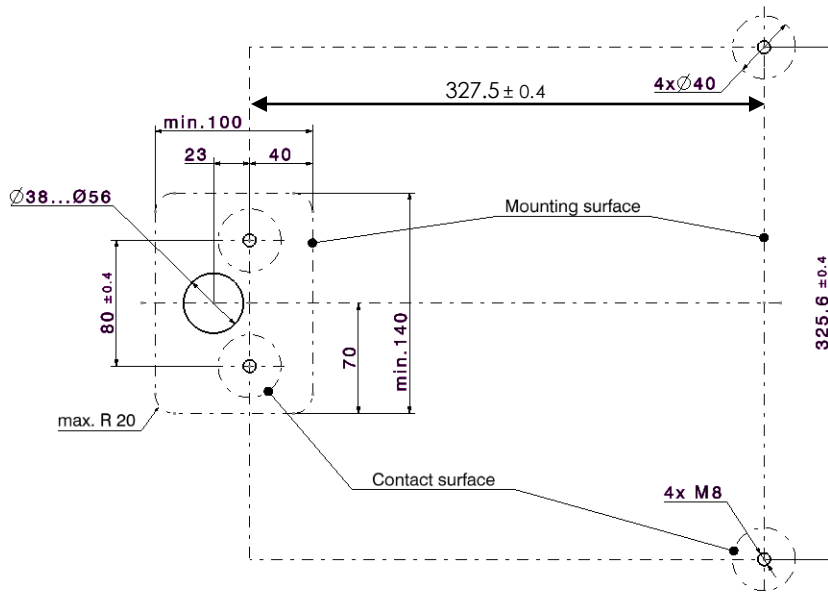


The mounting surface shall be planar and stable.
The material of the mounting surface shall be steel or aluminium.

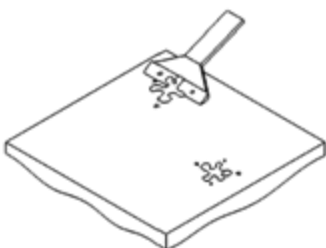
Recommended thicknesses of the contact surface is 8mm (steel) or 12 mm (aluminium).

The height difference between the different contact surface (each corner area to the center area) shall be ± 1 mm. The height difference between the closer corner areas shall be ± 0.5 mm

Drilling of threaded holes and cable breakthrough

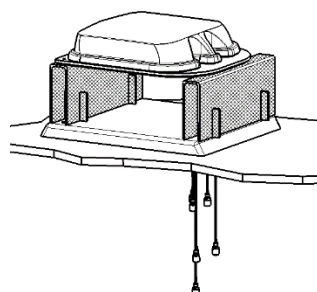


Preparation of roof



1. Clear the area where the bracket is welded from paint, corrosion or any anodized layer.
2. Clear this area from any dust, brake dust, cutting chip, oil or fat.

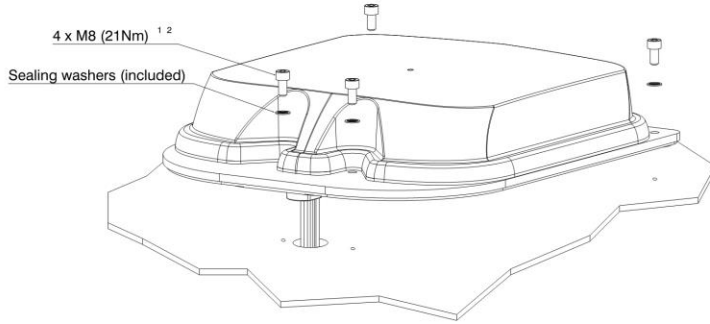
Cable feedthrough



Use parts of the packaging to easily position the antenna above the cable breakthrough as indicated on the picture.

Feed all cables through the hole.

Mounting



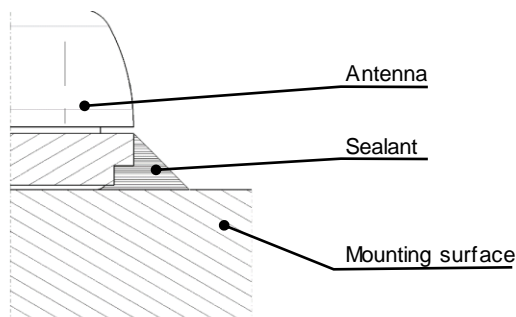
Place sealing gaskets in the circled slots in the outer contact surfaces.

Remove the packaging parts and lower the antenna towards the roof.

Avoid moving the antenna once it touches the mounting surface.

- 1) For a minimum 8mm thick contact surface, use screws with a minimum length of 18mm.
For a minimum 12mm thick contact surface, use screws with a minimum length of 22mm.
2) Use mounting screws according to ISO 4762.
Screws are not included.

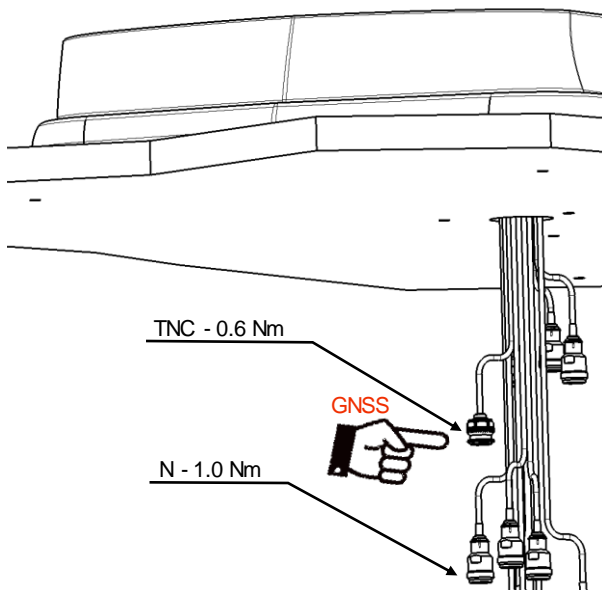
Sealing



It is optional to seal the perimeter of the antenna with sealant.

Avoid to apply sealant to the antenna radome.

Connection of cables



Connect the cables. Hold the pigtail connectors during cable attachment. Avoid all tension, torsion and bending forces.

GNSS Connector (if present):

GNSS without LNA (check product datasheet):
Do not apply a voltage as this antenna is DC grounded.



GNSS with LNA (check product datasheet):
Take ESD precautions.
Inner conductor: 3...5 V
Outer conductor: GND

HUBER+SUHNER is certified according to ISO 9001 and ISO 14001

WAIVER!

It is exclusively in written agreements that we provide our customers with warrants and representations as to the technical contained specifications and/or the fitness for any particular purpose. The facts and figures herein are carefully compiled to the best of our knowledge, but they are intended for general informational purposes only.

HUBER+SUHNER – Excellence in Connectivity Solutions



HUBER+SUHNER AG
RF Technology
9100 Herisau, Switzerland
Phone +41 (0)71 353 41 11
Fax +41 (0)71 353 47 51
www.hubersuhner.com

Doc. No. 0000813531
Art. No. 92020867
Revision D