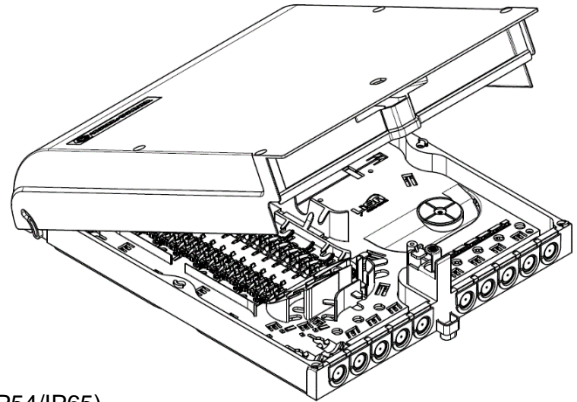


## Wall boxes plastic Optibox 32

### Description

#### Characteristics

- Splice and patch enclosure comprising a base, fiber inlay and cover
- Patch panel for up to 32 SC-shape adapters (LC Duplex, LX.5 Duplex, SC, E-2000TM)
- Can be equipped with up to 16 ACS splice cassettes (multi-circuit or single-circuit management)
- Can be equipped with up to 8 ACS splitter cassettes (several splitters can be installed in each cassette)
- Cable inputs: two below and one above
- Cable outputs: one above and eight below
- Hinged half-shell grommets ensure simple cable entry and exit
- Bending radius protected fiber overlength storage ( $r \geq 28$  mm)
- Pigtail to pigtail configuration
- Optionally with lock
- UV-resistant enclosure
- Enclosure meets the requirements for moderate outdoor applications (IP54/IP65).



The optical distribution enclosure (OptiBox32) impresses due to its simple design, its wide application range and its customer-friendly handling during installation and maintenance.

The OTB32 is typically used as a fiber optic distribution and termination enclosure, which is ideally suited for splicing, patching and accommodating passive optical components. The installation-friendly plastic enclosure is typically used by telecom customers (FTTH / FITH) and is designed for indoor and outdoor wall mounting (IP56).

A number of mounting points offer users the option of fastening multi-fiber loose tube cables, riser cables, micro cables, patch cords, pre-assembled cable systems or micro conduits, including optional gas/water blockers.

The clearly-defined and easily accessible fiber storage and fiber routing guides are bending radius protected and provide the necessary protection against mechanical influences.

The OTB32 can be equipped with various ACS-series cassettes on a modular basis. It enables both single and multi-circuit fiber management, as well as simple installation of passive components such as splitters or WDMs.

### Technical data

#### Construction

Description	Values	
Dimensions (W x L x H)	407 x 518 x 107 mm	16.02 x 20.39 x 4.21 inch
Non-detachabel connection capacity (splices)	Up to 384	
Detachabel connection capacity (connectors)	32 x SC and E-2000TM , 64 x LC and LX.5	
Capacity for ACS cassette system		
ACS- MCM splice cassettes ( $\leq 24$ splices)	16	
ACS – SCM splice cassettes ( $\leq 4$ splices)	16	
ACS – SPL splitter cassettes	8	
Dimension ( $\varnothing$ ) cable or blow-in conduit systems with use of grommets	3-18 mm	0.11-0.70 inch
Material: enclosure (cover / base)	PC	
inlay	PC/ ABS	

## Wall boxes plastic Optibox 32

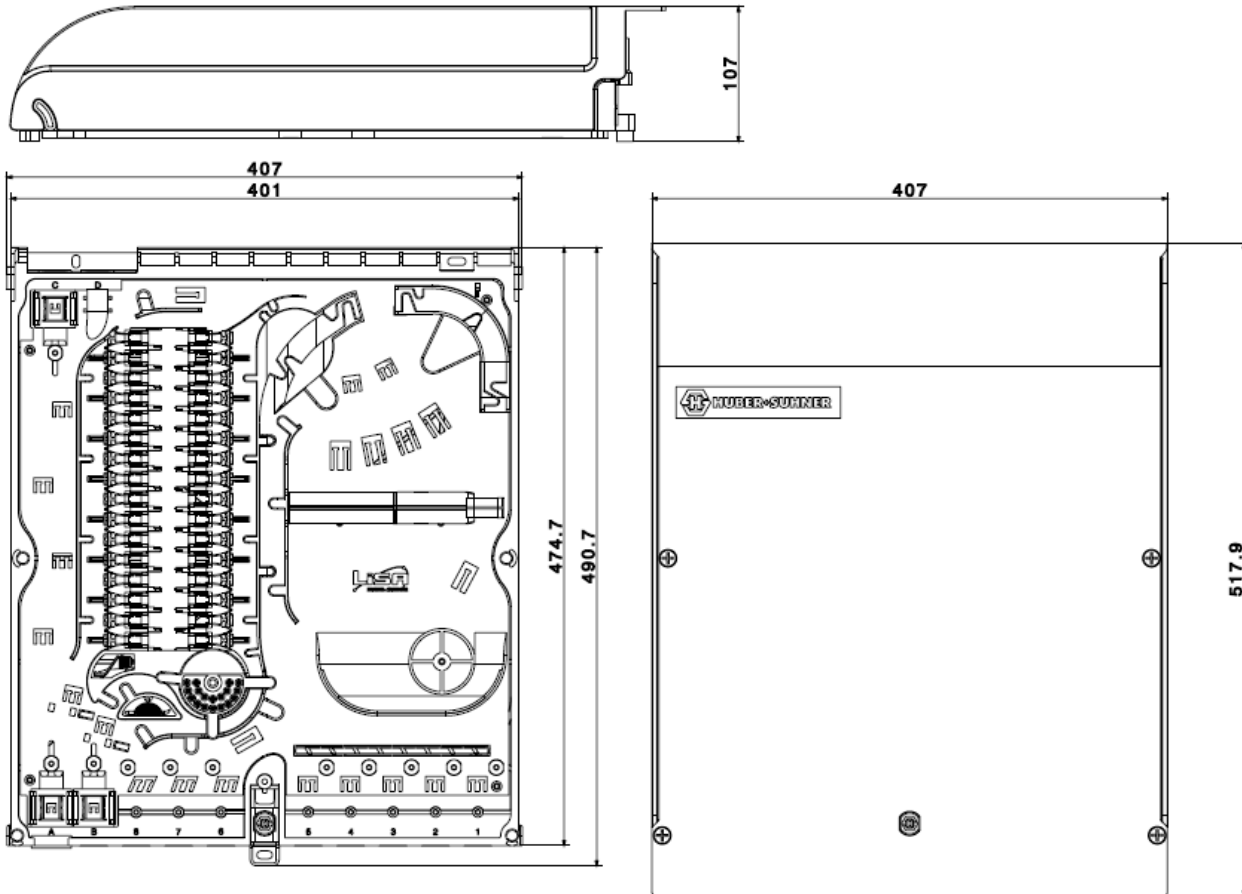
Weight:	enclosure (cover / base)	4.5 kg	99.20 lbs
Color:	enclosure (cover / base)	RAL 7047, telegrey 4	
	inlay	RAL 7047, telegrey 4	
	sealing grommets	RAL 9005, jet black	
Ingress protection degree (EN60529)		IP56	
Resistance to Impact (EN60068-2-27)		IK07	

### Mechanical and environmental data

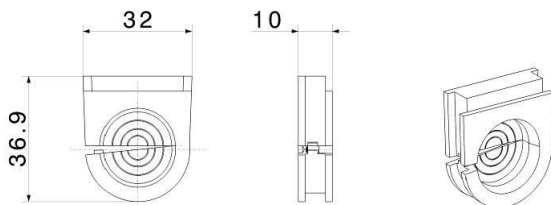
Description		Values
Temperature Resistance	Celsius	-40° ... +85°C
	Fahrenheit	4.4° ... 29.4°F
Insulation		fully insulated
Flamability rating	enclosure (cover / base )	UL 94C-0 / UL 94V-0
	fiber inlay / extension tray	UL 94V-0
	sealing grommets	UL 94V-2
UV Resistance	enclosure (cover / base )	resistant
Free of halogen		yes (except hinged half-shell grommets)
Chemical Resistance		good
RoHS compliance		fully compliant

## Wall boxes plastic Optibox 32

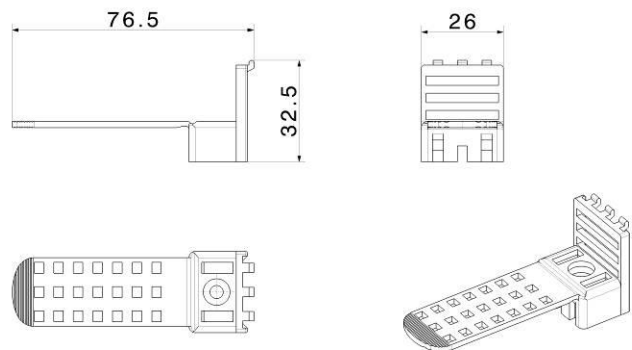
### Technical data cable gland



#### Hinged half-shell grommet



#### Cable fixing latch



## Wall boxes plastic Optibox 32

### Ordering information

---

Description	Item number
Optibox 32 empty	84123341

---

### Related documents

---

Installation manual	DOC-0000392662
---------------------	----------------