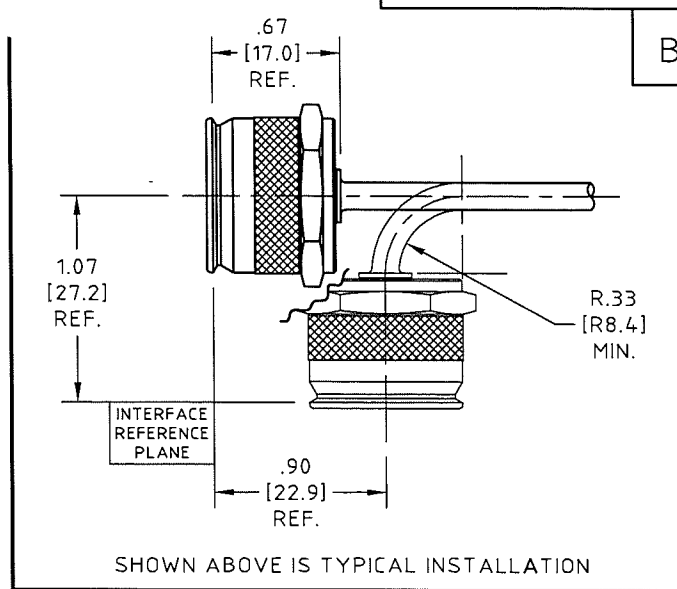
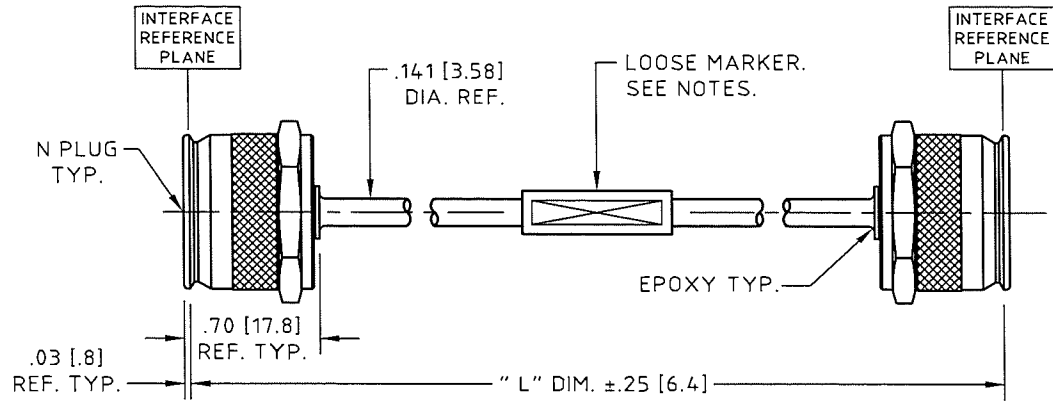


CONTROL DRAWING

mini141 N-XXHT



SHOWN ABOVE IS TYPICAL INSTALLATION

H+S Astrolab PART NUMBER	DIMENSION "L" IN	2.0 GHz		12.4 GHz		18.0 GHz	
		VSWR	I.L. dB	VSWR	I.L. dB	VSWR	I.L. dB
mini141 N-5HT	5.00 [127.0]	1.20:1	0.19	1.28:1	0.41	1.37:1	0.55
mini141 N-6HT	6.00 [152.4]	1.20:1	0.21	1.28:1	0.45	1.37:1	0.60
mini141 N-7HT	7.00 [177.8]	1.20:1	0.23	1.28:1	0.49	1.37:1	0.65
mini141 N-8HT	8.00 [203.2]	1.20:1	0.24	1.28:1	0.52	1.37:1	0.69
mini141 N-9HT	9.00 [228.6]	1.20:1	0.26	1.28:1	0.56	1.37:1	0.74
mini141 N-10HT	10.00 [254.0]	1.20:1	0.27	1.28:1	0.60	1.37:1	0.79
mini141 N-11HT	11.00 [279.4]	1.20:1	0.29	1.28:1	0.64	1.37:1	0.83
mini141 N-12HT	12.00 [304.8]	1.20:1	0.30	1.28:1	0.68	1.37:1	0.88
mini141 N-13HT	13.00 [330.2]	1.20:1	0.32	1.28:1	0.71	1.37:1	0.93
mini141 N-14HT	14.00 [355.6]	1.20:1	0.33	1.28:1	0.75	1.37:1	0.97
mini141 N-15HT	15.00 [381.0]	1.20:1	0.35	1.28:1	0.79	1.37:1	1.02
mini141 N-16HT	16.00 [406.4]	1.20:1	0.36	1.28:1	0.83	1.37:1	1.07
mini141 N- HT							

NOTES:

- DESCRIPTION,
CABLE ASSEMBLY, 100% ROHS COMPLIANT, N PLUG TO N PLUG.
- CABLE,
COAXIAL CABLE H+S Astrolab P/N 32022E MEETS OR EXCEEDS MIL-DTL-17 SEE H+S Astrolab CONTROL DRAWING FOR MATERIALS AND FINISHES.
- CONNECTOR -A-, N PLUG:
H+S Astrolab P/N 29080HTCR-32-22 IAW MIL-STD-348 AND 100% ROHS COMPLIANT SEE H+S Astrolab CONTROL DRAWING FOR MATERIALS AND FINISHES.
- CONNECTOR -B-, N PLUG:
SAME AS CONNECTOR -A-.

NOTES CONTINUED:

- MARKING:
LOOSE, WHITE SLEEVING CAPTIVATED ON THE CABLE ASSEMBLY. MARKING WILL INCLUDE THE H+S Astrolab PART NUMBER, CAGE CODE AND DATE CODE OF DATE OF MANUFACTURE. OTHER MARKING AS DEFINED BY CUSTOMER. NO MARKING ON CABLE ASSEMBLIES SHORTER THAN 3.0", MARKING ON PACKING ONLY.
- ELECTRICAL CHARACTERISTICS:
IMPEDANCE, 50.0 Ohms NOMINAL. FREQUENCY, INSERTION LOSS AND VSWR SEE CHART.
- MECHANICAL:
OPERATING TEMPERATURE RANGE, -55° C TO +125° C.

ROHS 6 COMPLIANT

UNLESS OTHERWISE SPECIFIED CONCENTRICITY .004 T.I.R. CORNERS AND FILLETS .005 MAX. RADIUS OR CHAMFER. SURFACE FINISH 63 RMS MICROINCHES OR BETTER.

FRACTIONS	± 1/16
X	± .030
XX	± .015
XXX	± .005
ANGLES	± 1°
DO NOT SCALE DRAWING	

NAME	DATE
PREP. EF	07/07/11
ELEC. RF	07/07/11
MECH. GSG	07/07/11
Q.C.	

THIS DRAWING CONTAINS PATENTABLE AND PROPRIETARY INFORMATION. THE DESIGN CANNOT BE USED WITHOUT WRITTEN PERMISSION OF HUBER + SUHNER ASTROLAB.

TITLE
100% ROHS COMPLIANT, CABLE ASSY, TYPE mini141, N PLUG TO N PLUG.

B	COMPANY LOGO UPDATE	01/15/13	ENG/EB	[Signature]	THDS. TO BE IN ACCORD WITH U.S. DEPT. OF COMM. SCREW THD. STDS. FOR FEDERAL SERVICES 1950 SUPL. TO HANDBOOK H 28.	SCALE 1:1	CODE IDENT. 16301	DWG NO. mini141 N-XXHT	REV B
REV.	DESCRIPTION	DATE	BY	APPROVED					