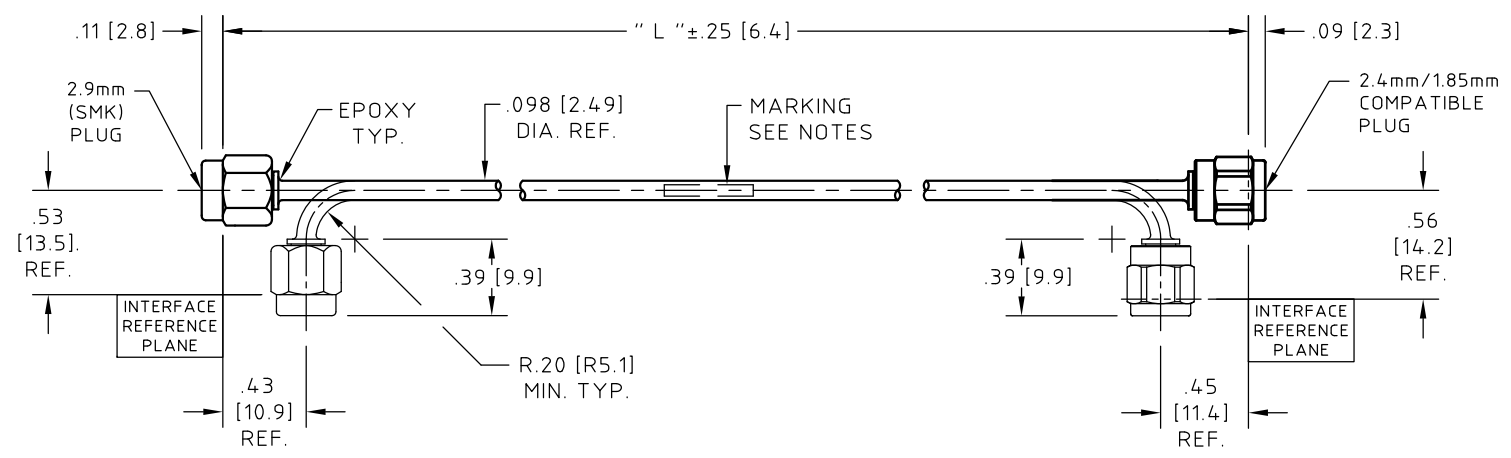


CONTROL DRAWING

minibend KV-XX

Q



NOTES:

- DESCRIPTION,
CABLE ASSEMBLY, 2.9mm (SMK) PLUG TO 2.4mm/1.85mm COMPATIBLE PLUG, RUGGEDIZED AND SUITABLE FOR COMPLEX, CONGESTED INSTALLATIONS.
WHEN INSTALLED AND BEND AT THE MINIMUM BEND RADIUS, CABLE ASSEMBLY WILL TOLERATE MULTIPLE ±90° ROTATIONS AT THE CABLE CONNECTOR JUNCTION.
- CABLE,
COAXIAL CABLE HUBER+SUHNER Astrolab P/N 32081SE MEETS OR EXCEEDS MIL-DTL-17.
SEE HUBER+SUHNER Astrolab CONTROL DRAWING FOR MATERIALS AND FINISHES.
- CONNECTOR -A-, 2.9mm (SMK) PLUG:
HUBER+SUHNER Astrolab P/N 29094KCR-32-81 INTERFACE DIMENSIONS IAW MIL-STD-348.
SEE HUBER+SUHNER Astrolab CONTROL DRAWING FOR MATERIALS AND FINISHES.
- CONNECTOR -B-, 2.4mm/1.85mm COMPATIBLE PLUG:
HUBER+SUHNER Astrolab P/N 29880CR-32-81SE INTERFACE DIMENSIONS IAW MIL-STD-348.
SEE HUBER+SUHNER Astrolab CONTROL DRAWING FOR MATERIALS AND FINISHES.

NOTES CONTINUED:

- MARKING:
MARKING APPROXIMATELY CENTERED DIRECTLY ON CABLE AS FOLLOWS:
MINIBEND KV-xx YYWW
WHERE xx DENOTES THE LENGTH OF THE CABLE ASSEMBLY AND YYWW THE DATE CODE FOR DATE OF MANUFACTURE.
NO MARKING ON CABLE ASSEMBLIES SHORTER THAN 3.00 [76.2].
MARKING ON PACKAGING ONLY.
- ELECTRICAL CHARACTERISTICS:
IMPEDANCE,
50.0 Ohms NOMINAL.
FREQUENCY, INSERTION LOSS AND VSWR
SEE CHART.
- MECHANICAL:
OPERATING TEMPERATURE RANGE,
-55° C TO +125° C.
PULL STRENGTH TO 25.0 LBS. [111.2 N].
- ATTENUATION FORMULAS:
8A. CALCULATE AT 26.5 GHz
(dB) = 1.45 dB/FT. X L(ft.)+.31 dB
8B. CALCULATE AT 40.0 GHz
(dB) = 1.84 dB/FT. X L(ft.)+.50 dB

HUBER+SUHNER Astrolab PART NUMBER	DIMENSION "L"	2.0 GHz		26.5 GHz		40.0 GHz	
		VSWR	IL. dB	VSWR	IL. dB	VSWR	IL. dB
minibend KV-2.5	2.50 [63.5]	1.20:1	0.18	1.45:1	0.62	1.50:1	0.88
minibend KV-3	3.00 [76.2]	1.20:1	0.19	1.45:1	0.68	1.50:1	0.96
minibend KV-3.5	3.50 [88.9]	1.20:1	0.21	1.45:1	0.74	1.50:1	1.03
minibend KV-4	4.00 [101.6]	1.20:1	0.23	1.45:1	0.80	1.50:1	1.10
minibend KV-4.5	4.50 [114.3]	1.20:1	0.24	1.45:1	0.86	1.50:1	1.17
minibend KV-5	5.00 [127.0]	1.20:1	0.26	1.45:1	0.92	1.50:1	1.25
minibend KV-5.5	5.50 [139.7]	1.20:1	0.27	1.45:1	0.98	1.50:1	1.32
minibend KV-6	6.00 [152.4]	1.20:1	0.29	1.45:1	1.04	1.50:1	1.39
minibend KV-7	7.00 [177.8]	1.20:1	0.32	1.45:1	1.17	1.50:1	1.54
minibend KV-8	8.00 [203.2]	1.20:1	0.35	1.45:1	1.29	1.50:1	1.68
minibend KV-9	9.00 [228.6]	1.20:1	0.38	1.45:1	1.41	1.50:1	1.83
minibend KV-10	10.00 [254.0]	1.20:1	0.41	1.45:1	1.53	1.50:1	1.97
minibend KV-11	11.00 [279.4]	1.20:1	0.44	1.45:1	1.65	1.50:1	2.12
minibend KV-12	12.00 [304.8]	1.20:1	0.47	1.45:1	1.78	1.50:1	2.26
minibend KV-13	13.00 [330.2]	1.20:1	0.50	1.45:1	1.90	1.50:1	2.41
minibend KV-14	14.00 [355.6]	1.20:1	0.53	1.45:1	2.02	1.50:1	2.55
minibend KV-15	15.00 [381.0]	1.20:1	0.57	1.45:1	2.14	1.50:1	2.70
minibend KV-16	16.00 [406.4]	1.20:1	0.60	1.45:1	2.26	1.50:1	2.84
minibend KV-		1.20:1		1.45:1		1.50:1	

SEE NOTE 8

ROHS 5/6 COMPLIANT

UNLESS OTHERWISE SPECIFIED
CONCENTRICITY .004 T.I.R.
CORNERS AND FILLETS .005
MAX. RADIUS OR CHAMFER.
SURFACE FINISH 63 RMS
MICROINCHES OR BETTER.

FRACTIONS	± 1/16
X	± .030
XX	± .015
XXX	± .005
ANGLES	± 1°
DO NOT SCALE DRAWING	

NAME	DATE
GSG	11/27/01
ELEC.	
MECH.	
Q.C.	

HUBER+SUHNER
Astrolab

THIS DRAWING CONTAINS PATENTABLE AND PROPRIETARY INFORMATION. THE DESIGN CANNOT BE USED WITHOUT WRITTEN PERMISSION OF HUBER + SUHNER ASTROLAB.

TITLE		SCALE	CODE IDENT.	DWG NO.	REV
CABLE ASSEMBLY, 2.9mm PLUG TO 2.4/1.85mm PLUG, RUGGEDIZED		1:1	16301	minibend KV-XX	Q
THDS. TO BE IN ACCORD WITH U.S. DEPT. OF COMM. SCREW THD. STDS. FOR FEDERAL SERVICES 1950 SUPL. TO HANDBOOK H 28.					

Q	ECN No. 15507	04/19/13	EB	
REV.	DESCRIPTION	DATE	BY	APPROVED