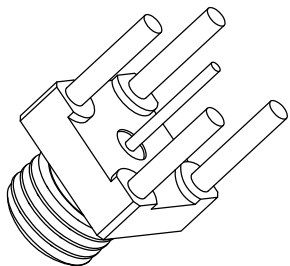


CONTROL DRAWING

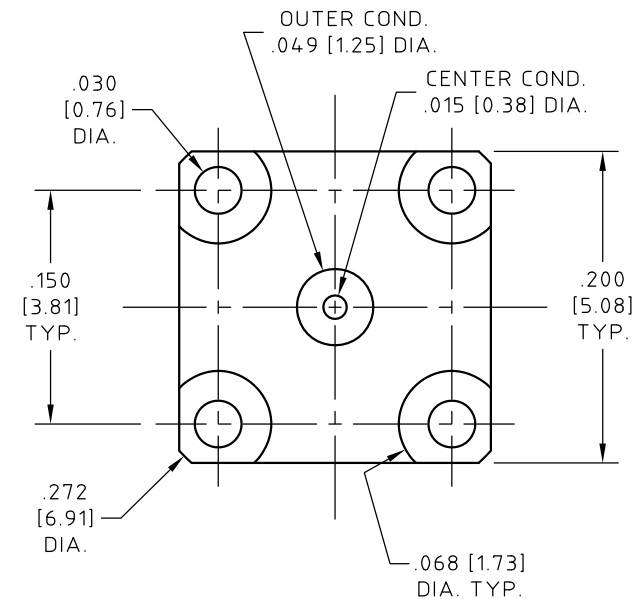
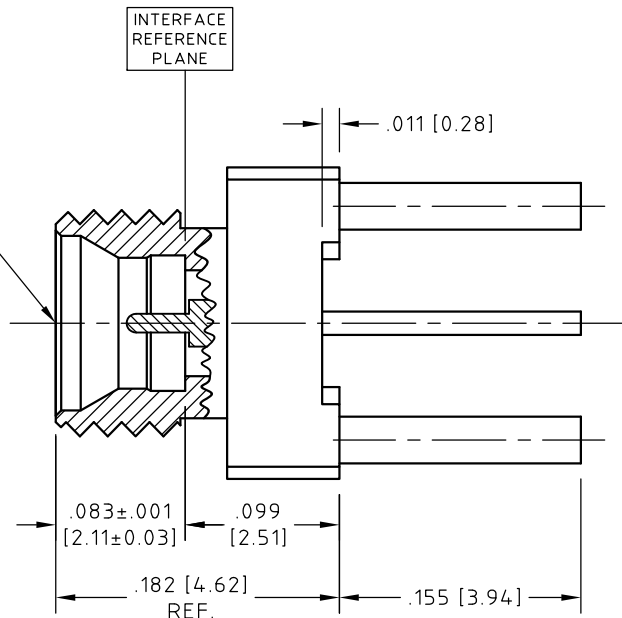
29976T1-x-155

B



SCALE 8 : 1

SMPM-T MALE
(FULL DETENT SHOWN)



NOTES:

- DESCRIPTION
PC BOARD MOUNT (LAUNCHER) CONNECTOR, SMPM-T MALE, SOLDERABLE. REFER TO TABLE LISTING FOR DETENT TYPE AND PART NUMBER.
- MATERIALS AND FINISHES
BODY AND CENTER CONDUCTOR, BERYLLIUM COPPER ALLOY PER ASTM B-196, UNS No. C17300, TEMPER TD04(H), GOLD PLATED .000050 IN (1.27 μm) MIN. THK. PER ASTM B-488, CODE C, TYPE II, CLASS 1.27 OVER
NICKEL PLATE, .000050 IN (1.27 μm) MIN. THK. PER SAE-AMS-QQ-N-290, CLASS 1.
OR
BRASS, FREE CUTTING, PER ASTM B-16 UNS No. C36000
NICKEL PLATED .000100 IN (2.54 μm) MIN. THK. PER SAE-AMS-C-26074 OR ASTM B-733.
DIELECTRIC,
POLYTETRAFLUOROETHYLENE (PTFE) PER ASTM D-1710, OR ASTM D-4894, TYPE I, GRADE 1, CLASS A.
OUTGASSING,
ASSEMBLY MEETS OR EXCEEDS NASA LOW OUTGASSING REQUIREMENTS.
- ELECTRICAL CHARACTERISTICS:
IMPEDANCE
50.0 Ohms NOMINAL.
- INTERFACE MEETS MIL-STD-348.
- OPERATING TEMPERATURE RANGE
-55° C TO +125° C

OPTION	PART NUMBER
FULL DETENT	29976T1-2-155
SMOOTH BORE	29976T1-4-155

NAME	DATE
PREP. GSG	07/27/11
ELEC. RF	08/01/11
MECH. AW	08/01/11
Q.C.	

THIS DRAWING CONTAINS PATENTABLE AND PROPRIETARY INFORMATION. THE DESIGN CANNOT BE USED WITHOUT WRITTEN PERMISSION OF HUBER + SUHNER ASTROLAB.

UNLESS OTHERWISE SPECIFIED
CONCENTRICITY .004 T.I.R.
CORNERS AND FILLETS .005
MAX. RADIUS OR CHAMFER.
SURFACE FINISH 63 RMS
MICROINCHES OR BETTER.

FRACTIONS	± 1/16
X	± .030
XX	± .015
XXX	± .005
ANGLES	± 1°
DO NOT SCALE DRAWING	

TITLE	SCALE	CODE IDENT.	DWG NO.	REV
CONNECTOR, THRU THE BOARD MOUNT, SMPM-T MALE.	8:1	16301	29976T1-x-155	B

REV.	DESCRIPTION	DATE	BY	APPROVED
B	COMPANY LOGO UPDATED	10/04/13	EF	

THDS. TO BE IN ACCORD WITH U.S. DEPT. OF COMM. SCREW THD. STDS. FOR FEDERAL SERVICES 1950 SUPL. TO HANDBOOK H 28.