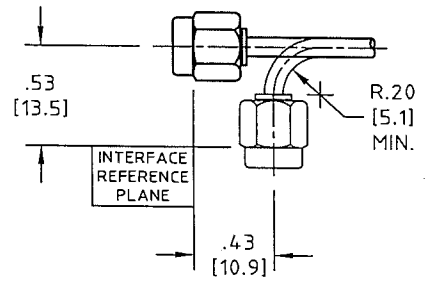
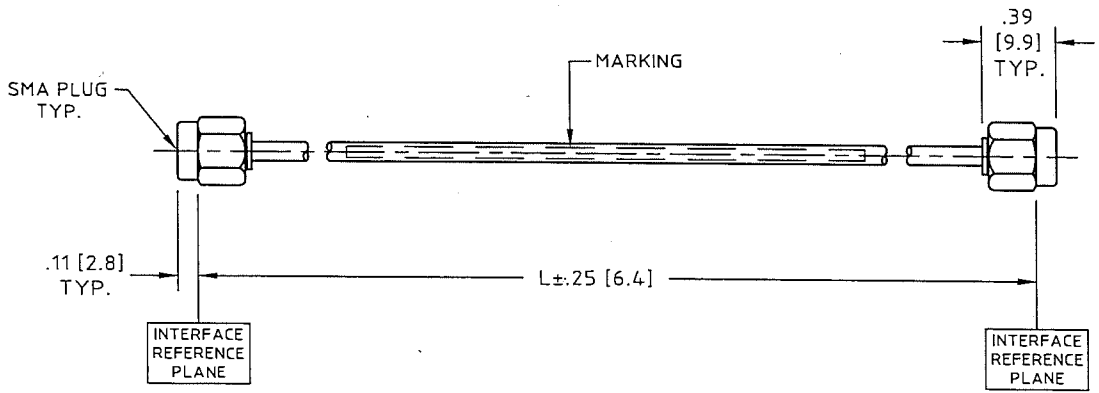


CONTROL DRAWING

minibend 6-XX

E



SHOWN ABOVE IS TYPICAL INSTALLATION

H+S Astrolab PART NUMBER	DIMENSION "L" IN [mm]	2.0 GHz		12.4 GHz		18.0 GHz		24.0 GHz	
		VSWR	IL, dB	VSWR	IL, dB	VSWR	IL, dB	VSWR	IL, dB
minibend 6-2	2.00 [50.8]	1.20:1	0.16	1.25:1	0.32	1.35:1	0.46	1.40:1	0.53
minibend 6-2.5	2.50 [63.5]	1.20:1	0.18	1.25:1	0.36	1.35:1	0.50	1.40:1	0.57
minibend 6-3	3.00 [76.2]	1.20:1	0.19	1.25:1	0.40	1.35:1	0.55	1.40:1	0.64
minibend 6-3.5	3.50 [88.9]	1.20:1	0.21	1.25:1	0.44	1.35:1	0.60	1.40:1	0.70
minibend 6-4	4.00 [101.6]	1.20:1	0.23	1.25:1	0.48	1.35:1	0.65	1.40:1	0.75
minibend 6-4.5	4.50 [114.3]	1.20:1	0.24	1.25:1	0.54	1.35:1	0.70	1.40:1	0.82
minibend 6-5	5.00 [127.0]	1.20:1	0.26	1.25:1	0.57	1.35:1	0.75	1.40:1	0.87
minibend 6-5.5	5.50 [139.7]	1.20:1	0.27	1.25:1	0.62	1.35:1	0.80	1.40:1	0.93
minibend 6-6	6.00 [152.4]	1.20:1	0.29	1.25:1	0.65	1.35:1	0.85	1.40:1	0.99
minibend 6-6.5	6.50 [165.1]	1.20:1	0.30	1.25:1	0.70	1.35:1	0.90	1.40:1	1.04
minibend 6-7	7.00 [177.8]	1.20:1	0.32	1.25:1	0.74	1.35:1	0.95	1.40:1	1.10
minibend 6-7.5	7.50 [190.5]	1.20:1	0.34	1.25:1	0.78	1.35:1	1.00	1.40:1	1.16
minibend 6-8	8.00 [203.2]	1.20:1	0.35	1.25:1	0.82	1.35:1	1.05	1.40:1	1.22
minibend 6-9	9.00 [228.6]	1.20:1	0.38	1.25:1	0.91	1.35:1	1.15	1.40:1	1.35
minibend 6-10	10.00 [254.0]	1.20:1	0.41	1.25:1	0.98	1.35:1	1.24	1.40:1	1.46
minibend 6-10.5	10.50 [266.7]	1.20:1	0.43	1.25:1	1.03	1.35:1	1.29	1.40:1	1.52
minibend 6-11	11.00 [279.4]	1.20:1	0.44	1.25:1	1.07	1.35:1	1.34	1.40:1	1.58
minibend 6-12	12.00 [304.8]	1.20:1	0.47	1.25:1	1.15	1.35:1	1.42	1.40:1	1.68
minibend 6-13	13.00 [330.2]	1.20:1	0.50	1.25:1	1.23	1.35:1	1.53	1.40:1	1.81
minibend 6-14	14.00 [355.6]	1.20:1	0.53	1.25:1	1.30	1.35:1	1.62	1.40:1	1.92
minibend 6-15	15.00 [381.0]	1.20:1	0.57	1.25:1	1.40	1.35:1	1.73	1.40:1	2.04
minibend 6-16	16.00 [406.4]	1.20:1	0.60	1.25:1	1.47	1.35:1	1.82	1.40:1	2.15
minibend 6-									

NOTES:

- DESCRIPTION:
CABLE ASSEMBLY, 100% ROHS COMPLIANT, NO-SOLDER, SMA PLUG TO SMA PLUG.
- CABLE:
COAXIAL CABLE H+S Astrolab P/N 32081 MEETS OR EXCEEDS MIL-DTL-17 SEE H+S Astrolab CONTROL DRAWING FOR MATERIALS AND FINISHES.
- CONNECTOR -A-, NO-SOLDER SMA PLUG:
H+S Astrolab P/N 29094C6-32-81 IAW MIL-STD-348. SEE H+S Astrolab CONTROL DRAWING FOR MATERIALS AND FINISHES.
- CONNECTOR -B-, SMA PLUG:
SAME AS CONNECTOR -A-.

NOTES CONTINUED:

- MARKING:
APPROXIMATELY CENTERED AND DIRECTLY ON CABLE AS FOLLOWS:
minibend 6-XX YYWW
NO MARKING ON CABLE ASSEMBLIES 2.50" OR SHORTER. MARKING WILL BE DONE ON PACKING ONLY.
- ELECTRICAL CHARACTERISTICS:
IMPEDANCE, 50.0 Ohms NOMINAL.
FREQUENCY, INSERTION LOSS AND VSWR SEE CHART.
- MECHANICAL:
OPERATING TEMPERATURE RANGE, -45° C TO +85° C.
PULL STRENGTH TO 15.0 LBS [67 N].
CABLE ASSEMBLY LENGTH "L" MEASURED IAW MIL-PRF-55427.

ROHS 6 COMPLIANT

UNLESS OTHERWISE SPECIFIED
CONCENTRICITY .004 T.I.R.
CORNERS AND FILLETS .005
MAX. RADIUS OR CHAMFER.
SURFACE FINISH 63 RMS
MICROINCHES OR BETTER.

FRACTIONS	± 1/16
X	± .030
XX	± .015
XXX	± .005
ANGLES	± 1°
DO NOT SCALE DRAWING	

NAME	DATE
PREP. EB	11/24/08
ELEC.	
MECH. GSG	12/02/08
Q.C.	



THIS DRAWING CONTAINS PATENTABLE AND PROPRIETARY INFORMATION. THE DESIGN CANNOT BE USED WITHOUT WRITTEN PERMISSION OF HUBER + SUHNER ASTROLAB.

TITLE
100% ROHS COMPLIANT, NO-SOLDER, minibend CABLE ASSEMBLY, SMA PLUG TO SMA PLUG

E	COMPANY LOGO UPDATE	01/15/13	EF	ENG 2
REV.	DESCRIPTION	DATE	BY	APPROVED

THDS. TO BE IN ACCORD WITH U.S. DEPT. OF COMM. SCREW THD. STDS. FOR FEDERAL SERVICES 1950 SUPL. TO HANDBOOK H 28.	SCALE 1:1	CODE IDENT. 16301	DWG NO. minibend 6-XX	REV E
-------------------------------------------------------------------------------------------------------------------	--------------	----------------------	--------------------------	----------