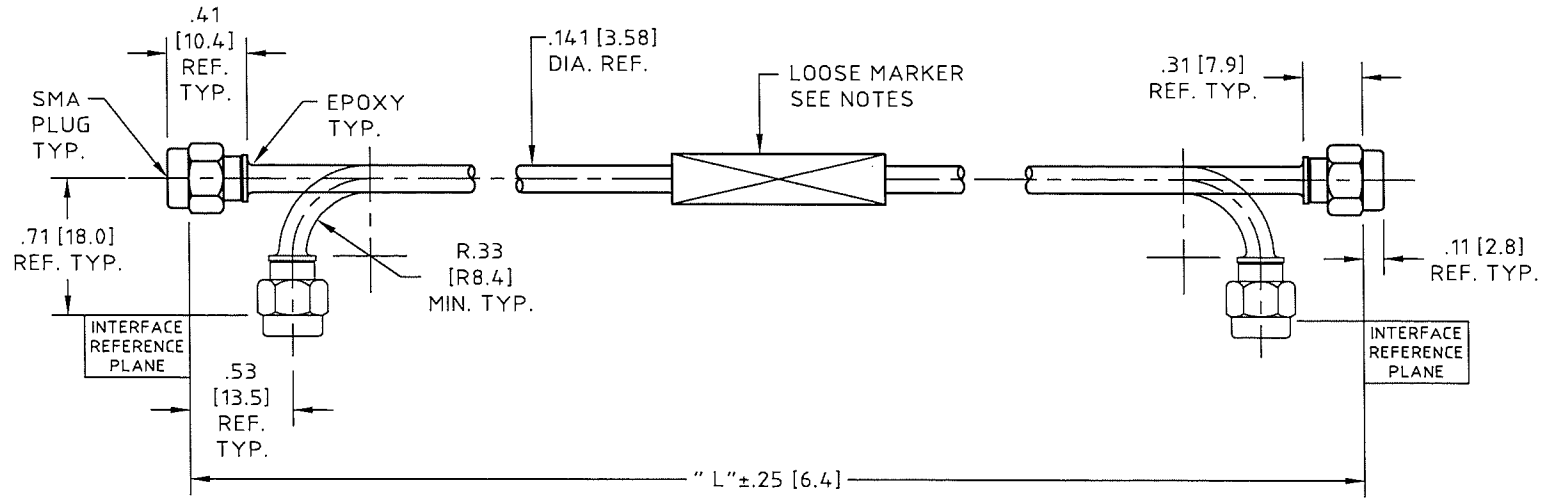


CONTROL DRAWING

mini141-xxHT

E



NOTES:

1. DESCRIPTION,
COAXIAL CABLE ASSEMBLY, 100% ROHS COMPLIANT, SMA PLUG TO SMA PLUG.
2. CABLE,
COAXIAL CABLE H+S Astrolab P/N 32022E MEETS OR EXCEEDS MIL-DTL-17 SEE H+S Astrolab CONTROL DRAWING FOR MATERIALS AND FINISHES.
3. CONNECTOR -A-, SMA PLUG:
H+S Astrolab P/N 29094HTCR-32-22 INTERFACE DIMENSIONS IAW MIL-STD-348. SEE H+S Astrolab CONTROL DRAWING FOR MATERIALS AND FINISHES.
4. CONNECTOR -B-, SMA PLUG:
SAME AS CONNECTOR A.

NOTES CONTINUED:

5. MARKING:
LOOSE, WHITE SLEEVING CAPTIVATED ON THE CABLE ASSEMBLY. MARKING WILL INCLUDE THE H+S Astrolab PART NUMBER, CAGE CODE AND DATE CODE OF DATE OF MANUFACTURE. OTHER MARKING AS DEFINED BY CUSTOMER. NO MARKING ON CABLE ASSEMBLIES SHORTER THAN 3.0", MARKING ON PACKING ONLY.
6. ELECTRICAL CHARACTERISTICS:
IMPEDANCE, 50.0 Ohms NOMINAL. FREQUENCY, INSERTION LOSS AND VSWR, SEE CHART.
7. MECHANICAL:
OPERATING TEMPERATURE RANGE, -55° C TO +125° C.

H+S Astrolab PART NUMBER	DIMENSION "L" IN	2.0 GHz		12.4 GHz		18.0 GHz		26.5 GHz	
		VSWR	I.L. dB	VSWR	I.L. dB	VSWR	I.L. dB	VSWR	I.L. dB
mini141-2.5HT	2.50 (63.5)	1.18:1	0.13	1.27:1	0.27	1.35:1	0.39	1.40:1	0.52
mini141-3HT	3.00 (76.2)	1.18:1	0.13	1.27:1	0.29	1.35:1	0.42	1.40:1	0.55
mini141-3.5HT	3.50 (88.9)	1.18:1	0.14	1.27:1	0.31	1.35:1	0.44	1.40:1	0.58
mini141-4HT	4.00 (101.6)	1.18:1	0.15	1.27:1	0.33	1.35:1	0.46	1.40:1	0.60
mini141-4.5HT	4.50 (114.3)	1.18:1	0.16	1.27:1	0.35	1.35:1	0.48	1.40:1	0.63
mini141-5HT	5.00 (127.0)	1.18:1	0.16	1.27:1	0.37	1.35:1	0.51	1.40:1	0.66
mini141-5.5HT	5.50 (139.7)	1.18:1	0.17	1.27:1	0.38	1.35:1	0.53	1.40:1	0.69
mini141-6HT	6.00 (152.4)	1.18:1	0.18	1.27:1	0.40	1.35:1	0.55	1.40:1	0.72
mini141-6.5HT	6.50 (165.1)	1.18:1	0.18	1.27:1	0.42	1.35:1	0.57	1.40:1	0.74
mini141-7HT	7.00 (177.8)	1.18:1	0.19	1.27:1	0.44	1.35:1	0.60	1.40:1	0.77
mini141-8HT	8.00 (203.2)	1.18:1	0.21	1.27:1	0.48	1.35:1	0.64	1.40:1	0.83
mini141-9HT	9.00 (228.6)	1.18:1	0.22	1.27:1	0.51	1.35:1	0.69	1.40:1	0.88
mini141-10HT	10.00 (254.0)	1.18:1	0.24	1.27:1	0.55	1.35:1	0.73	1.40:1	0.94
mini141-11HT	11.00 (279.4)	1.18:1	0.25	1.27:1	0.59	1.35:1	0.78	1.40:1	0.99
mini141-12HT	12.00 (304.8)	1.18:1	0.26	1.27:1	0.63	1.35:1	0.82	1.40:1	1.05
mini141-13HT	13.00 (330.2)	1.18:1	0.30	1.27:1	0.68	1.35:1	0.89	1.40:1	1.13
mini141-14HT	14.00 (355.6)	1.18:1	0.31	1.27:1	0.72	1.35:1	0.93	1.40:1	1.18
mini141-15HT	15.00 (381.0)	1.18:1	0.33	1.27:1	0.76	1.35:1	0.98	1.40:1	1.24
mini141-16HT	16.00 (406.4)	1.18:1	0.34	1.27:1	0.79	1.35:1	1.02	1.40:1	1.29
mini141-									

ROHS 6 COMPLIANT

	NAME	DATE
PREP.	KC	11/02/10
ELEC.	RF	11/02/10
MECH.	GSG	11/02/10
Q.C.		



THIS DRAWING CONTAINS PATENTABLE AND PROPRIETARY INFORMATION. THE DESIGN CANNOT BE USED WITHOUT WRITTEN PERMISSION OF HUBER + SUHNER ASTROLAB.

UNLESS OTHERWISE SPECIFIED
CONCENTRICITY .004 T.I.R.
CORNERS AND FILLETS .005
MAX. RADIUS OR CHAMFER.
SURFACE FINISH 63 RMS
MICROINCHES OR BETTER.

FRACTIONS	± 1/16
X	± .030
XX	± .015
XXX	± .005
ANGLES	± 1°
DO NOT SCALE DRAWING	

TITLE
100% ROHS COMPLIANT mini141 CABLE ASSEMBLY, SMA PLUG TO SMA PLUG.

E	COMPANY LOGO UPDATE	01/15/13	ENGB	APPROVED	THOS. TO BE IN ACCORD WITH U.S. DEPT. OF COMM. SCREW THD. STDS. FOR FEDERAL SERVICES 1950 SUPPL. TO HANDBOOK H 28.	SCALE	CODE IDENT.	DWG NO.	REV
REV.	DESCRIPTION	DATE	BY	APPROVED	1:1	16301	mini141-xxHT	E	