

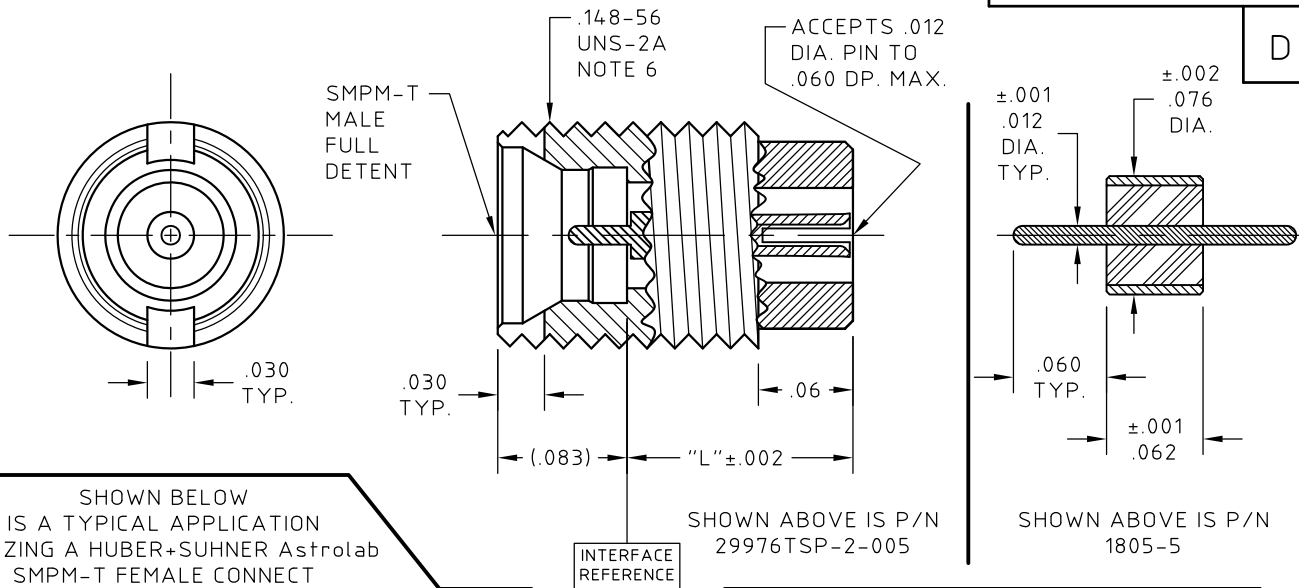
CONTROL DRAWING

29976TSP-2-005x

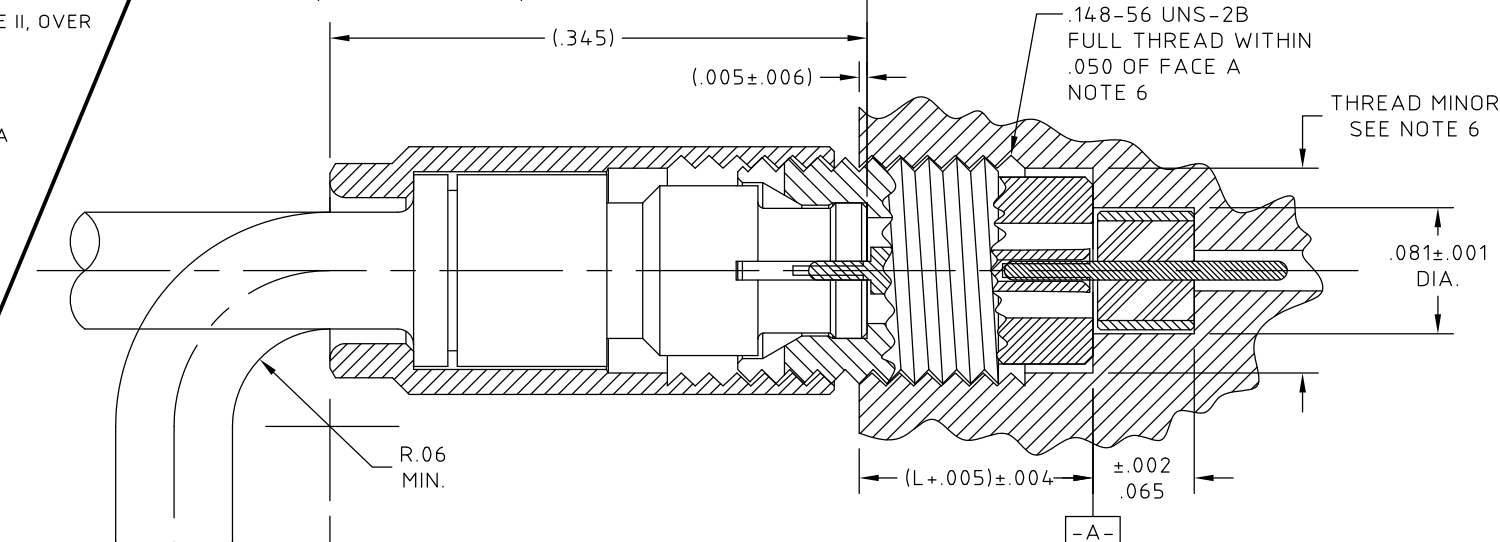
HUBER+SUHNER P/N	"L"
29976TSP-2-005A	.145
29976TSP-2-005B	.185
29976TSP-2-005	

NOTES:

- DESCRIPTION
THREAD MOUNT (SPARK PLUG), MALE, FULL DETENT, SMPM-T CONNECTOR AND SOLDER TYPE, HERMETIC, FEEDTHRU BEAD.
- MATERIALS AND FINISHES
BODY & CENTER CONDUCTOR, BERYLLIUM COPPER ALLOY PER ASTM B-196, UNS No. C17300, TEMPER TD04(H), GOLD PLATED .000050 IN MIN. THK. PER ASTM B-488, CODE C, TYPE II, CLASS 1.27 OVER
NICKEL PLATE, .000050 IN MIN. THK. PER SAE-AMS-QQ-N-290, TYPE 1.
DIELECTRIC, POLYTETRAFLUOROETHYLENE (PTFE) PER ASTM D-1710, OR ASTM D-4894, TYPE I, GRADE 1.
FEEDTHRU 1805-5, OUTER & CENTER CONDUCTORS, KOVAR PER ASTM F-15 AND ASTM F-1466 (MIL-I-23011 CLASS1) UNS K94610. GOLD PLATED .000050 IN MIN. THK. PER ASTM B-488, CODE C, TYPE II, OVER NICKEL PLATE, .000050 IN MIN. THK. PER SAE-AMS-QQ-N-290, OR ASTM B-689 TYPE 1.
OUTGASSING, ASSEMBLY MEETS OR EXCEEDS NASA LOW OUTGASSING REQUIREMENTS.
- ELECTRICAL CHARACTERISTICS:
IMPEDANCE
50.0 Ohms NOMINAL.
- INTERFACE MEETS MIL-STD-348.
- OPERATING TEMPERATURE RANGE
-55° C TO +125° C.
- THREAD DEFINITION IAW ASME B1.1-1989 AND AS LISTED HERE:
EXTERNAL THREAD,
MAJOR DIAMETER, .1473 MAX. / .1432 MIN.
PITCH DIAMETER, .1357 MAX. / .1333 MIN.
MINOR DIAMETER, .1268 REF.
INTERNAL THREAD,
MINOR DIAMETER, .129 MIN. / .1316 MAX.
PITCH DIAMETER, .1364 MIN. / .1395 MAX.
MAJOR DIAMETER, .148 REF.
- PANEL INSTALLATION:
TORQUE CONNECTOR TO 35±3.5 IN-OZ.



SHOWN BELOW IS A TYPICAL APPLICATION UTILIZING A HUBER+SUHNER Astrolab SMPM-T FEMALE CONNECTOR OR (29971TCR SERIES).



UNLESS OTHERWISE SPECIFIED
CONCENTRICITY .004 T.I.R.
CORNERS AND FILLETS .005
MAX. RADIUS OR CHAMFER.
SURFACE FINISH 63 RMS
MICROINCHES OR BETTER.

FRACTIONS	± 1/16
X	± .030
XX	± .015
XXX	± .005
ANGLES	± 1°
DO NOT SCALE DRAWING	

NAME	DATE
PREP. GSG	06/23/10
ELEC. RF	06/23/10
MECH. AW	06/23/10
Q.C.	

THIS DRAWING CONTAINS PATENTABLE AND PROPRIETARY INFORMATION. THE DESIGN CANNOT BE USED WITHOUT WRITTEN PERMISSION OF HUBER + SUHNER ASTROLAB.

TITLE
CONNECTOR, SMPM-T MALE, THREAD MOUNT (SPARK PLUG).

REV.	DESCRIPTION	DATE	BY	APPROVED	THDS. TO BE IN ACCORD WITH U.S. DEPT. OF COMM. SCREW THD. STDS. FOR FEDERAL SERVICES 1950 SUPL. TO HANDBOOK H 28.	SCALE	CODE IDENT.	DWG NO.	REV
D	ECN No. 15843	10/04/13	EF			8:1	16301	29976TSP-2-005x	D